

Highlights

- Compact, ultra low-power SMT module design
- Hiberband RF signal and baseband processing
- GNSS-based satellite tracking algorithm
- Serial UART-based host processor interface
- On-board Hiberband antenna connector

Hiberband modem



Introduction

The Hiberband modem is a highly integrated, low-power communications front-end designed for global delivery of sensor data through Hiber's satellite-based Hiberband Low-Power Global Area Network (LPGAN). Designed as a compact, solderable SMT module, it is straightforward to integrate in IoT devices. The application host processor of the IoT device interacts with the Hiberband modem through a UART-based serial interface using a command-response protocol. The Hiberband modem provides two connectors for the Hiberband and GPS antennas.

For detailed technical documentation, please contact Hiber at support@hiber.global.



The information on the internal GPS receiver of the Hiberband modem is provided for reference purposes only; this functionality has been discontinued. The application developer must provide current the geo-location by other means to the modem.

1 Mechanical dimensions

The mechanical drawing of the Hiberband modem is shown in figure 1 (all dimensions in millimeters).

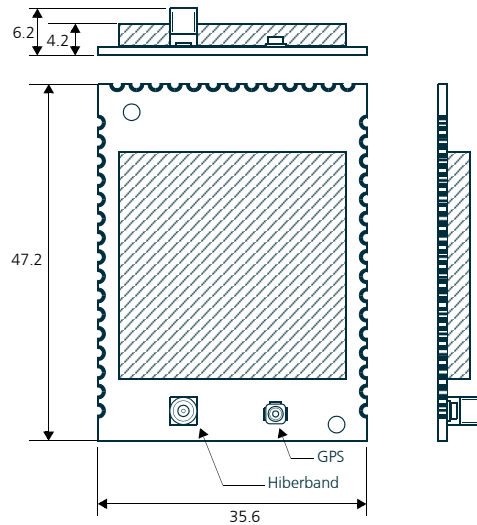
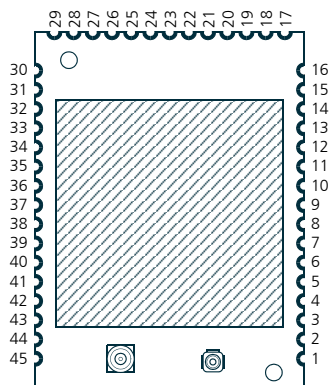


Figure 1: Mechanical drawing Hiberband modem

The Hiberband modem has two antenna connectors: one MMCX-female for the Hiberband antenna and one U.FL-female for the GPS antenna (only for versions with integrated GPS receiver).

2 Hiberband modem pin-assignment



The pin numbering scheme of the Hiberband modem is shown in figure 2. The module pins are implemented as so-called castellations that allow soldering onto a printed circuit board (PCB) using standard reflow manufacturing techniques.

The Hiberband modem provides one or two on-board antenna connectors (depending on the modem version), one for the Hiberband satellite communication, and one for the GPS antenna (for modem versions with integrated GPS receiver). The antenna details are described in section 1.

The pin function assignment is given in table 1.

Figure 2: Hiberband modem pin numbering scheme

Function	Pin name	I/O	Description	Hiberband modem pin numbers
Power	VCC	I	Supply voltage	12, 13, 14, 15, 16, 40, 41, 42
	GND	n/a	Ground	1, 2, 3, 4, 5, 6, 7, 8, 9, 10, 20, 23, 26, 29, 43, 44, 45
	VREF	n/a	I/O reference voltage	19
System	SYS_RXD	I	System UART receive	18
	SYS_TXD	O	System UART transmit	17
	WKUP	I	System wake-up	25
	RESET	I	System reset	24

Table 1: Hiberband modem pin assignment overview

Function	Pin name	I/O	Description	Hiberband modem pin numbers
Debug	DBG_RXD	I	Debug UART receive	28
	DBG_TXD	O	Debug UART transmit	27
Reserved	-	n/a	Reserved for internal or future use. Leave unconnected!	11, 21, 22, 30, 31, 32, 33, 34, 35, 36, 37, 38, 39

Table 1: Hiberband modem pin assignment overview

3 Power supply

The power supply characteristics of the Hiberband modem are specified in table 2.

Parameter	Description	Min	Typ	Max	Unit
VCC	Module supply voltage	3.2	3.3	3.9	V
ICC	Current consumption - Hibernation Mode	0.5	5	20	μA
	Current consumption - Host Communication Mode	10	20	25	mA
	Current consumption - Geo-location Mode	40	100	120	mA
	Current consumption - Hiberband Listen Mode	20	23	30	mA
	Current consumption - Hiberband Transmission Mode	100	1250	1500	mA
VREF	VREF supply voltage (all ranges)	2.7	3.3	4.5	V

Table 2: Power supply specifications

4 Operating temperature ranges

The following temperature ranges are defined for operation of the Hiberband modem:

- **Normal operating temperature:** the Hiberband modem is fully functional and meets all its product specifications across the specified temperature range.
- **Extended operating temperature:** the Hiberband modem is fully functional but RF performance may be degraded.

The environmental operating ranges of the Hiberband modem are defined in table 3.

Parameter	Description	Min	Typ	Max	Unit
T _{operating}	Typical operating temperature		+25		°C
	Normal operating temperature	-30		+70	°C
	Extended operating temperature	-40		+85	°C

Table 3: Environmental conditions

5 Frequency ranges

The frequency ranges of the Hiberband modem are given in table 4.

Parameter		Min	Max	Unit	Remarks
Hiberband frequency range	Uplink	399.90	400.05	MHz	
	Downlink	400.15	401.00	MHz	
GPS frequency range	Downlink	1575.42	1575.42	MHz	Only GPS is supported

Table 4: Hiberband modem RF frequency bands

6 Typical application circuit

A typical interface between the application host processor, generally a microcontroller, and the Hiberband modem is shown in Figure 3.

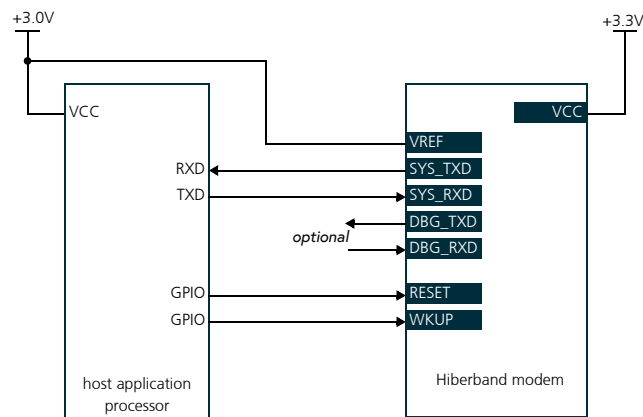


Figure 3: Typical integration of a Hiberband modem with an application host processor

In the example design shown above, the host application processor runs at 3.0V, while the Hiberband modem has a +3.3V supply voltage. The processor interfaces with the Hiberband modem through a UART interface for serial device-to-device communication. Optionally, the debug UART may be used in the application. Furthermore, two GPIO pins (configured as outputs) are used to drive the RESET and WKUP inputs of the Hiberband modem, both of which have active HIGH levels. The signal levels of the processor-modem UART interfaces is set by applying the appropriate voltage to the VREF input of the Hiberband modem. Other than ensuring that the power supply is able to deliver the necessary current within a sufficiently fast transient response time, this covers the integration of Hiber's LPGAN connectivity in an IoT device.

7 Hiberband modem design support

Hiber is strongly committed to providing good support to its partners. In addition to documentation, Hiber offers CAD libraries, reference schematics and board layout footprints, that can be obtained upon request. Please contact us at support@hiber.global for any assistance you may need.

8 Revision history

Date	Revision	Changes
March 14, 2018	1	Initial release
April 18, 2018	1.1	Changed naming of RESETn to RESET to reflect active HIGH level
February 5, 2019	1.2	Changed product name to Hiberband modem Updated information related to discontinued GPS support

Table 5: Document revision history

IMPORTANT NOTICE – PLEASE READ CAREFULLY

Magnitude Space BV, operating under the Hiber brand name, and its subsidiaries ("Hiber"), reserve the right to make changes, corrections, enhancements, modifications, and improvements to Hiber products and/or to this document at any time without notice. Purchasers should obtain the latest relevant information on Hiber products before placing orders. Hiber products are sold pursuant to Hiber's terms and conditions of sale in place at the time of order acknowledgement.

Purchasers are solely responsible for the choice, selection, and use of Hiber products and Hiber assumes no liability for application assistance or the design of Purchasers' products.

No license, express or implied, to any intellectual property right is granted by Hiber herein.

Resale of Hiber products with provisions different from the information set forth herein shall void any warranty granted by Hiber for such product. Hiber and the Hiber logo are trademarks of Magnitude Space BV. All other product or service names are the property of their respective owners.

Information in this document supersedes and replaces information previously supplied in any prior versions of this document.

Company contact details can be found on Hiber's corporate website at www.hiber.global.